

**EC-SNR-ANG-S9090-H SINGLE AXIS INCLINOMETER**

**DESCRIPTION**

Absolute single axis inclinometer sensor based on earth's gravity.

**OPERATION**

Signal output is linearly proportional to the tilt angle to the ground. With a measurement range of  $\pm 90^\circ$  this device provides a 0.5 to 4.5 VDC output signal over its range with a nominal 2.5 VDC at 0 degree. It is normally used to control the inclination of a mechanical structure respect to the earth line.

**FEATURES**

- Supply line is protected against reversed polarity and load dump.
- Outputs are protected against short circuits to GND and supply.
- Vibration and shock resistant.
- Anti-debouncing software filter.
- CE certification.
- Electro Magnetic Compatibility (EMC): EN 61000-6-2 (Immunity)  
EN 61000-6-3 (Emissions)

**SPECIFICATIONS**

Operating voltage:	8.5÷30 VDC
Max current consumption:	20 mA
Output signal:	0.5÷2.5÷4.5 VDC
Max current output:	10 mA
Max working angle:	$\pm 90^\circ$
Resolution:	0.25°
Operating temperature:	-40°C / +105°C
Degree of protection:	IP 68
Connector type:	Deutsch DT04-4P or M12
Fixing screws included:	n.4 - M5x20
Weight:	120 g (screws included)

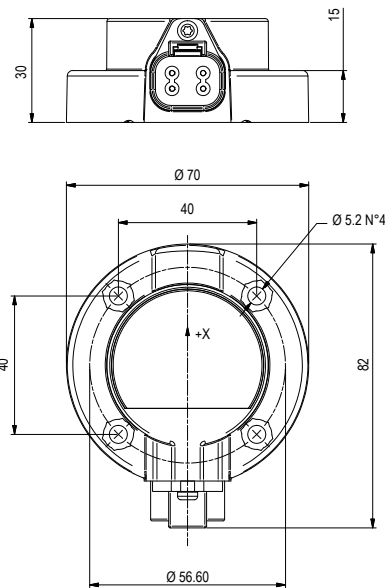
**APPLICATIONS**

- 12 VDC and 24 VDC systems.
- Inclination sensor for articulated cranes and aerial platforms.

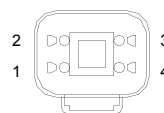
<b>Ordering Code</b>
20.0401.016 with Deutsch connector
20.0401.018 with M12 connector



**DIMENSIONS**

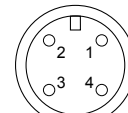


**CONNECTIONS**



Deutsch DT04-4P

- 1 +VBATT
- 2 GND
- 3 OUTPUT X AXIS



M12

- 1 +VBATT
- 2 GND
- 3 OUTPUT X AXIS

**WARNING:** the specifications/application data shown in our catalogs and data sheets are intended only as a general guide for the product described (herein). Any specific application should not be undertaken without independent study, evaluation, and testing for suitability.



4484 Boeing Drive Rockford, IL 61109 • USA • Phone +1 (815) 397-6628 • Fax +1 (815) 397-2526  
mail: delta@delta-power.com • www.delta-power.com



Via Malavolti, 36 • 41122 Modena • ITALY • Phone +39 (059) 254895 • Fax +39 (059) 253512  
mail: tecnord@tecnord.com • www.tecnord.com